



VALOR™ 1000

Compact Bench Scales



T models



T models



T models



Supports
HACCP Systems

Reliable Food-Safe Scale for Dry Environments

With a food-safe design that is NSF-certified and supports a HACCP system, the Valor 1000 Series is a reliable choice for general food weighing. Easy-to-operate Valor 1000 scales feature two-button operation, a large backlit LCD display and up to 1,500-hour battery life.

Unique Features:

- NSF certified, USDA-AMS accepted design supports HACCP systems, making Valor 1000 perfect for food preparation tasks. Stainless steel pans and plastic in-use covers available for extra protection.
- Save money on batteries. Energy-efficient design operates for up to 1,500 hours.
- Intuitive two-button operation allows for quick weight checking to simplify repetitive operations and increase operator efficiency.

VALOR™ 1000 - VI2P Compact Bench Scales

Model	V12P3	V12P6	V12P15	V12P30	V12P2T	V12P5T	V12P10T	V12P20T
Capacity × Readability (Max x d non-approved)	6 lb x 0.001 lb 3 kg x 0.0005 kg 3,000 g x 0.5 g 96 oz x 0.02 oz 6 lb x 0.02 oz	15 lb x 0.002 lb 6 kg x 0.001 kg 6,000 g x 1 g 240 oz x 0.5 oz 15 lb x 0.5 oz	30 lb x 0.005 lb 15 kg x 0.002 kg 15,000 g x 2 g 480 oz x 0.1 oz 30 lb x 0.1 oz	60 lb x 0.01 lb 30 kg x 0.005 kg 30,000 g x 5 g 960 oz x 0.2 oz 60 lb x 0.2 oz	5 lb x 0.0005 lb 2 kg x 0.0002 kg 2,000 g x 0.2 g 80 oz x 0.01 oz	10 lb x 0.001 lb 5 kg x 0.0005 kg 5,000 g x 0.5 g 160 oz x 0.02 oz	20 lb x 0.002 lb 10 kg x 0.001 kg 10,000 g x 1 g 320 oz x 0.05 oz	50 lb x 0.005 lb 20 kg x 0.002 kg 20,000 g x 2 g 800 oz x 0.1 oz
Maximum Displayed Resolution (gram)	1:6,000	1:6,000	1:7,500	1:6,000	1:10,000	1:10,000	1:10,000	1:10,000
Maximum Displayed Resolution (pound)	1:6,000	1:7,500	1:6,000	1:6,000	1:10,000	1:10,000	1:10,000	1:10,000
Certified Capacity × Readability (Max x e approved)	-	-	-	-	5 lb x 0.002 lb 2 kg x 0.001 kg 2,000 g x 1 g 80 oz x 0.05 oz	10 lb x 0.005 lb 5 kg x 0.002 kg 5,000 g x 2 g 160 oz x 0.1 oz	20 lb x 0.01 lb 10 kg x 0.005 kg 10,000 g x 5 g 320 oz x 0.2 oz	50 lb x 0.02 lb 20 kg x 0.01 kg 20,000 g x 10 g 800 oz x 0.5 oz
Approved Resolution (gram)	-	-	-	-	1:2,000	1:2,500	1:2,000	1:2,000
Approved Resolution (pound)	-	-	-	-	1:2,500	1:2,000	1:2,000	1:2,500
Class	-	-	-	-	Class III NTEP / Measurement Canada			
Weighing Units	g, kg, lb, oz, lb:oz				g, kg, lb, oz			
Application Mode	Weighing							
Tare Range	To capacity by subtraction							
Stabilization Time	≤2 seconds							
Power requirements	Four Type D Alkaline batteries (not included) or AC adapter (included)							
Calibration	Digital with external weight							
Typical Battery Life	1,500 hours with backlight turned off				750 hours with backlight turned off			
Construction	ABS plastic housing, stainless steel pan, plastic in-use cover							
Safe Overload	150% of capacity							
Communication	N/A				Optional RS232			
Specified Temperature Range	32 to 104° F / 0 to 40 °C							
Display Type	Single display - LCD with white backlight				Dual display - LCD with white backlight			
Display Size	1.0 in / 25.4 mm							
Pan Size	9.65 x 7.48 in / 245 x 190 mm							
Scale Dimensions (W x D x H)	10.2 x 10.6 x 4.8 in / 260 x 270 x 122 mm							
Shipping Dimensions (W x D x H)	12.6 x 12.6 x 6.9 in / 319 x 319 x 175 mm							
Net Weight	5.5 lb / 2.5 kg							
Shipping Weight	6.8 lb / 3.1 kg							

Other Standard Features and Equipment

Integrated level bubble and adjustable feet, selectable Auto-Off, selectable weighing units and integrated carrying handles for easy transportation

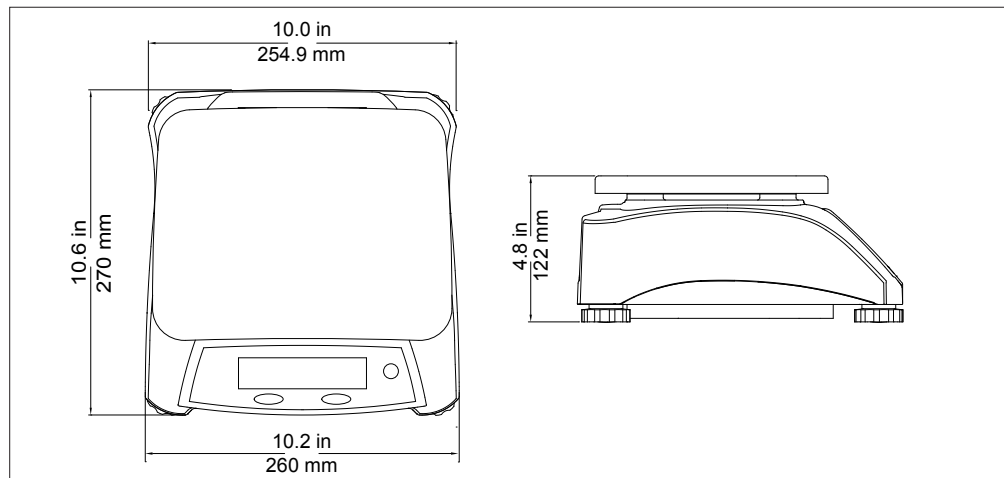
Compliance

- **Metrology (T models):** NIST Handbook 44 (NTEP CC 11-012), Canada Weights and Measures Regulations (AM-6164)
- **Product Safety:** IEC/EN 61010-1; UL certified power supply
- **Electromagnetic Compatibility:** FCC Part 15 Class B; Canada ICES-003 Class B
- **Food Safety:** NSF/ANSI 169, NSF/ANSI /3-A 14159-1
- **Compliance Marks:** NSF, USDA-AMS

Accessories

RS232 Interface, 1.5m cable(for approved T models)	30559103
In-use Cover (1)	30559105
In-use Cover (10)	30559106
Stainless Steel Platform, 11.8 in x 8.9 in, 300 x 225 mm (for non-approved models)	30559107

Outline Dimensions



OHAUS CORPORATION

Tel: 800.672.7722
973.377.9000
Fax: 973.944.7177

www.ohaus.com

The management system governing the manufacture of this product is ISO 9001:2015 certified.

