

235 Series

Mechanical



- **Capacities**– 1 kg / 11 lb to 100 kg / 220 lb
- **Robust**
- **Accurate**
- **Reliable**

- **Portable**
- **Dual Markings Metric and Imperial**
- **Low Cost**
- **Easy-to-Read**
- **Corrosion Resistant**

VALUE IN
WEIGHING

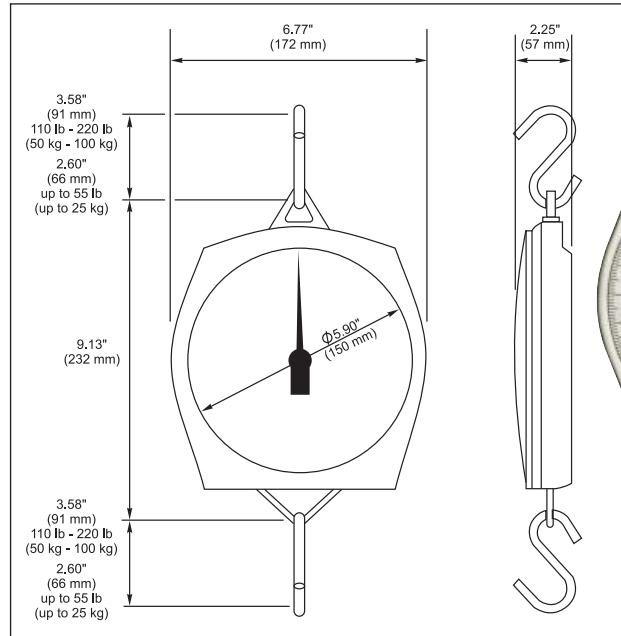
235 Series

235-6S

Compact, robust and corrosion resistant, 150 mm / 6" diameter dial housed in a tough ABS plastic case with shatter-proof polycarbonate dial cover. Low friction acetal bearings provide positive movement to give maximum sensitivity. Accurate to one part in 250 with up to 15% zero adjust. Supplied with top and bottom hooks.

Capacity:

5 kg x 20 g / 11 lb x 1 oz
 10 kg x 50 g / 22 lb x 2 oz
 25 kg x 100 g / 56 lb x 4 oz
 50 kg x 200 g / 110 lb x 8 oz
 100 kg x 500 g / 220 lb x 1 lb

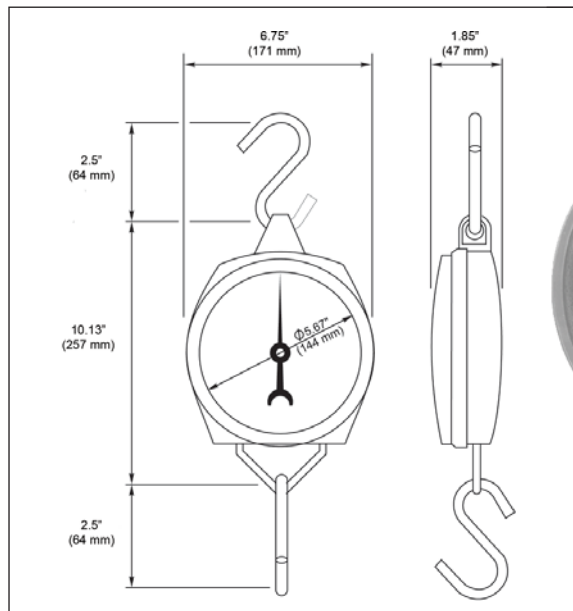


235-6M

Compact, robust, 150 mm / 6" diameter dial housed in the traditional metal case. Accurate to one part in 250 with up to 10% zero adjustment. Supplied with top and bottom hooks.

Capacity:

5 kg x 20 g / 11 lb x 1 oz
 10 kg x 50 g / 22 lb x 2 oz
 25 kg x 100 g / 56 lb x 4 oz
 100 kg x 500 g / 220 lb x 1 lb



a division of Avery Weigh-Tronix, LLC

Brecknell

1000 Armstrong Dr., Fairmont, MN 56031
 Toll free: 800-637-0529, Tel: 507-238-8702
 Fax: 507-238-8271
 e-mail: sales@brecknell scales.com
 www.brecknell scales.com



Brecknell

Foundry Lane, Smethwick
 West Midlands B66 2LP UK
 Tel: +44 (0) 845 246 6717
 Fax: +44 (0) 845 246 6718
 Email: sales@brecknell scales.co.uk
 www.brecknell scales.co.uk

